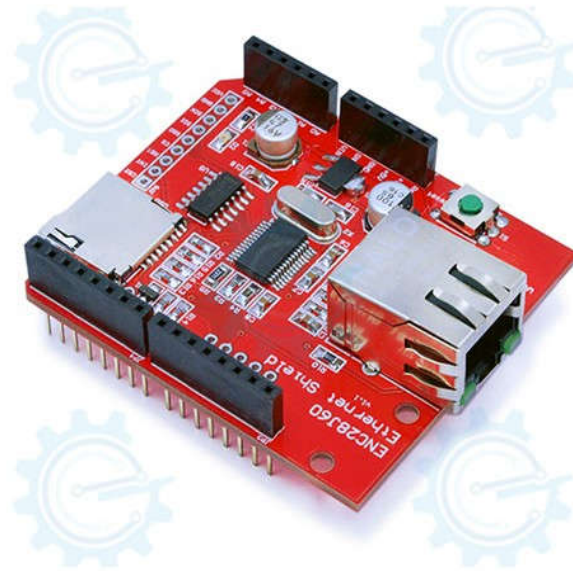


Ethernet Shield (ENC28J60)



Technical Manual Rev 1r0



ENC28J60 based ethernet interface module in gizDuino (Arduino Compatible) pin layout. It can be used just as easily with other MCU host controllers. Allows your gizDuino or MCU circuit to connect to your intranet and internet network. gizDuino users can easily build internet enabled projects and applications running codes built around the Arduino ENC28J60 libraries. A microSD card socket interface is included should you find a need for a large data storage space.

Features:

- IEEE 802.3™ Compatible Ethernet Controller
- Fully Compatible with 10/100/1000Base-T Networks
- Integrated MAC and 10Base-T PHY
- Supports One 10Base-T Port with Automatic Polarity Detection and Correction
- SPI Interface with Clock Speeds Up to 20 MHz

General Specifications:

Power Input: Powered via gizDuino (Arduino Clone)

Ethernet Speed: 10MBps, RJ45 Port

I/O Interface to Host MCU: SPI

On-Board Peripherals: Micro-SD Card Slot

PCB Dimensions:

Length : 54mm x **Width :** 64mm

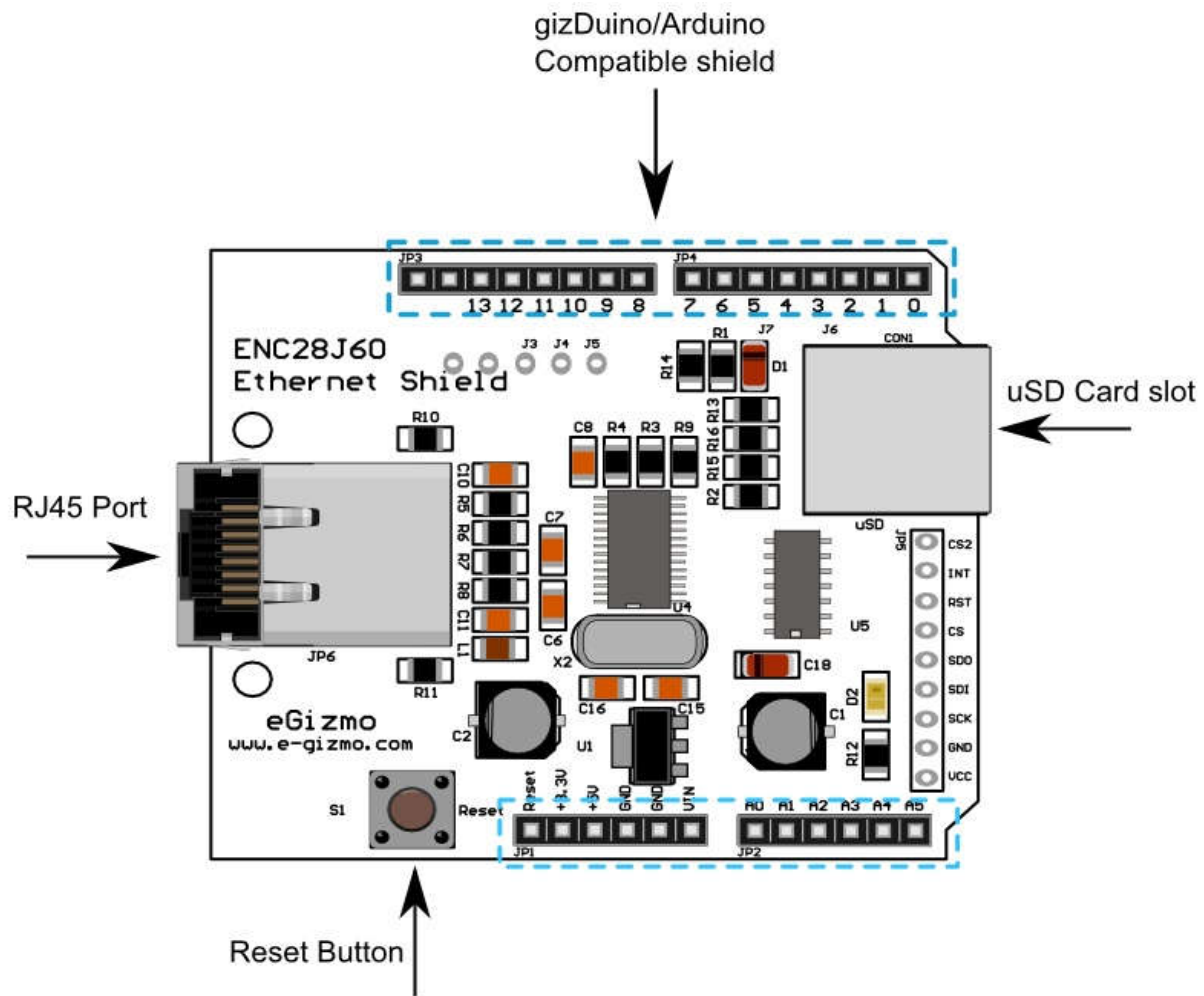


Figure 1. ENC28J60 Major Parts

Table 1. ENC28J60 used pinout I/O descriptions

Pin Name	Type	Descriptions
SCK	I	Clock in pin for SPI interface
SO	O	Data out pin for SPI interface
SI	I	Data in pin for SPI interface
CS	I	Chip select input pin for SPI interface
INT	O	INT interrupt output pin

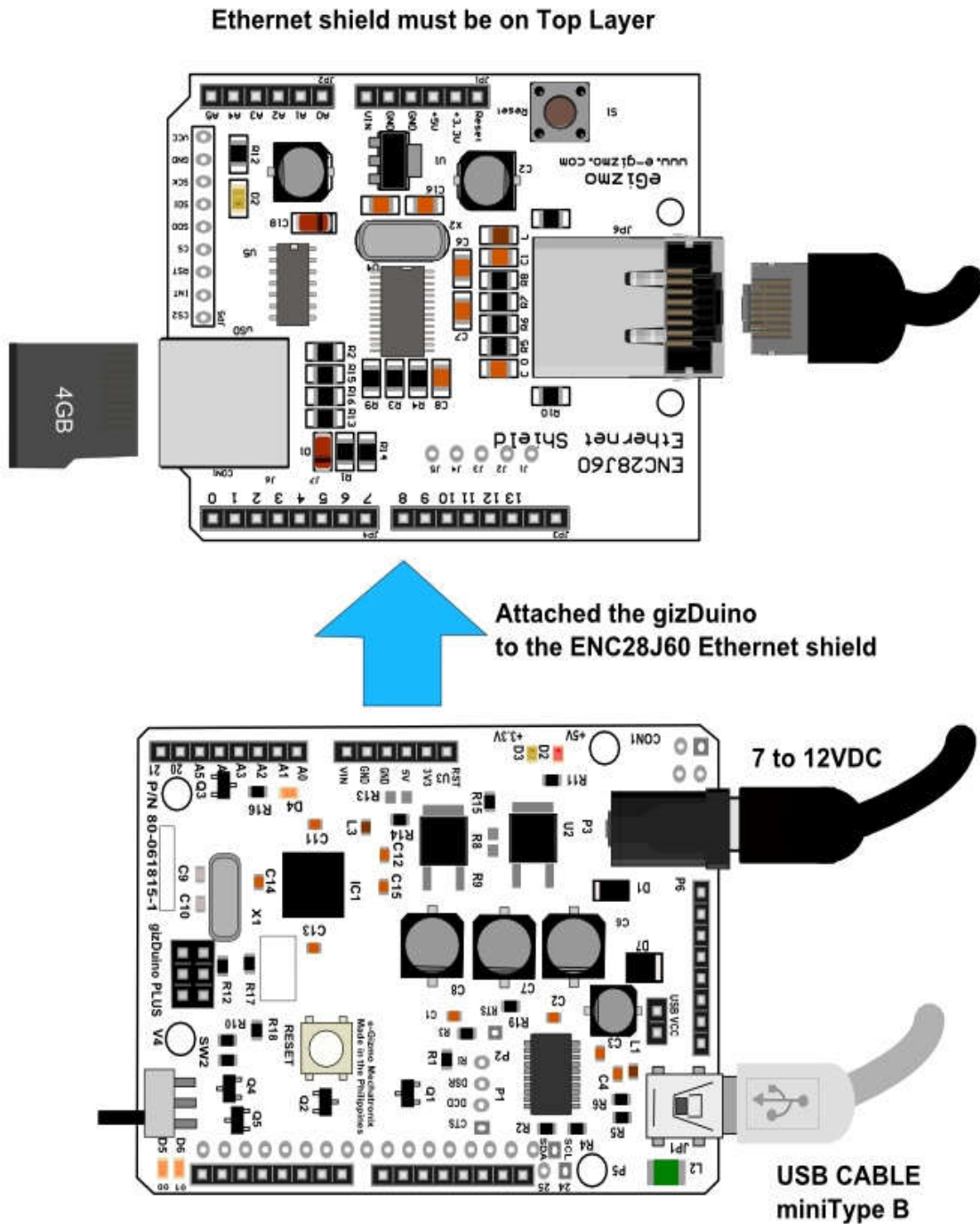


Figure 2: Sample connections for Ethernet shield with gizduino PLUS.