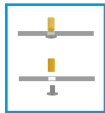


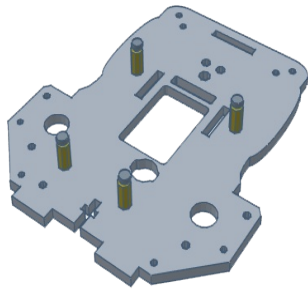
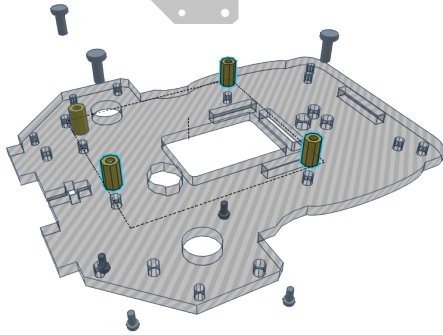
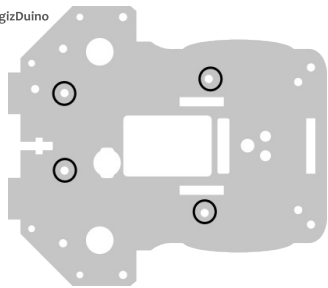
# MINIBOT CHASSIS Assembly Guide

The body

**A** Screws for gizDuino shields

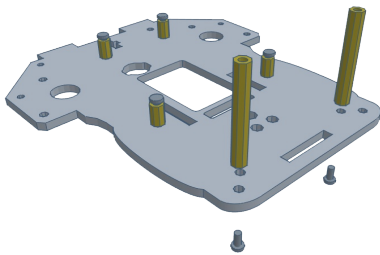


Brass: 3x10mm [4]  
Screws: 3x6mm [4]



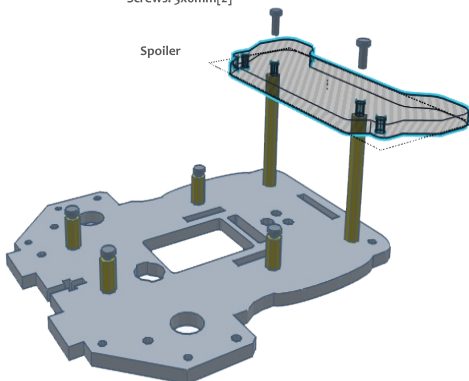
**B** Brass studs for Spoiler

Brass: 3x35mm [2]  
Screws: 3x6mm [2]



Screws: 3x6mm [2]

Spoiler



Column 1 of 3

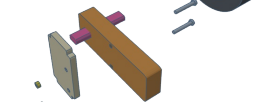
2018 @ e-Gizmo Mechatronics Central

**C** Motor constructions  
(Do this for the 2 motors)

**1** Motor Holder



Isometric View



**3**

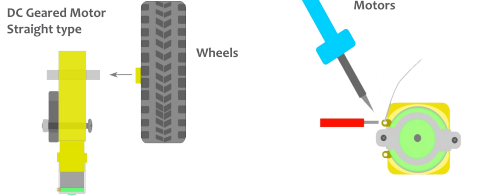
**2** Screw: 3x25mm [2]

Nuts: 3mm [2]

DC Geared Motor  
Straight type

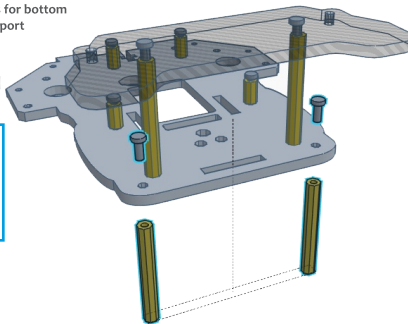
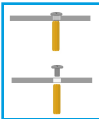
Wheels

Wiring Connection for  
Motors



**D** Brass studs for bottom  
chassis support

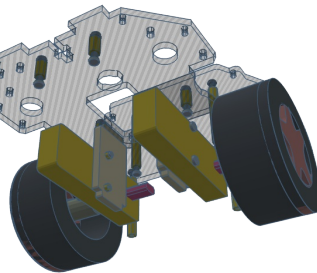
Brass: 3x35mm [2]  
Screws: 3x6mm [2]



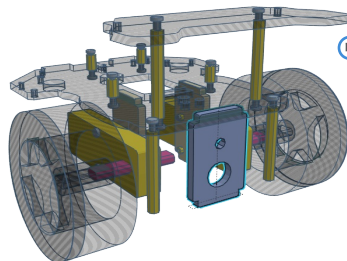
\*\*\* On this section place all the Motors with holder [E],  
Power switch [F], and bottom chassis [G].

**E** Placing the motors  
like this

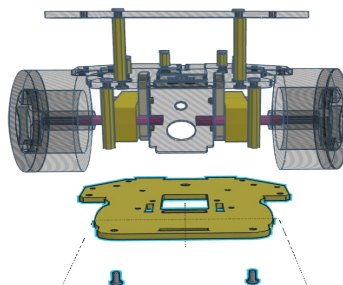
Bottom View



**F** Placing the power  
switch chassis



**G** Placing the Bottom Chassis  
Screws: 3x6mm [2]



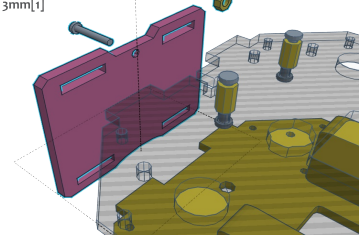
Column 2 of 3

MINIBOT CHASSIS



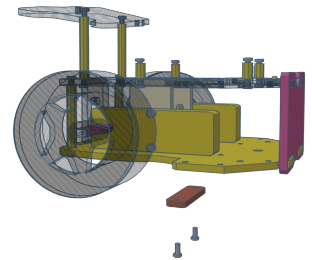
**H** Placing the Bumper chassis

Screw: 3x14mm [1]  
Nuts: 3mm [1]



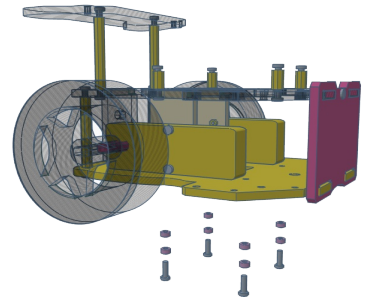
**I** Adding the Battery lock

Screw: 3x6mm [2]

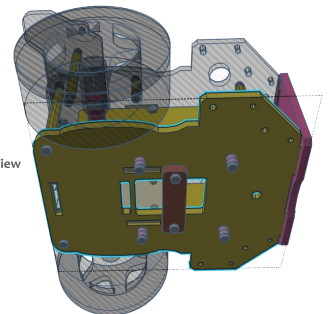


**J** Screws for 3-channel line sensor

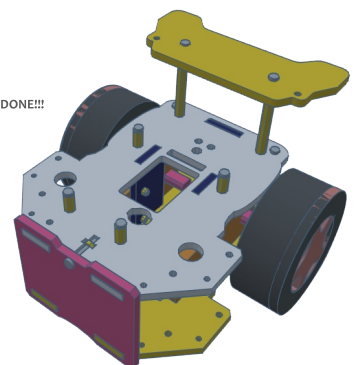
Screw: 3x10mm [4]  
Spacers [8]



Bottom View



DONE!!!



Column 3 of 3

# MINIBOT CHASSIS: DISASSEMBLED

e-Gizmo MINIBOT chassis disassembled kit for more fun and additional assembly skills. **CHASSIS ONLY**

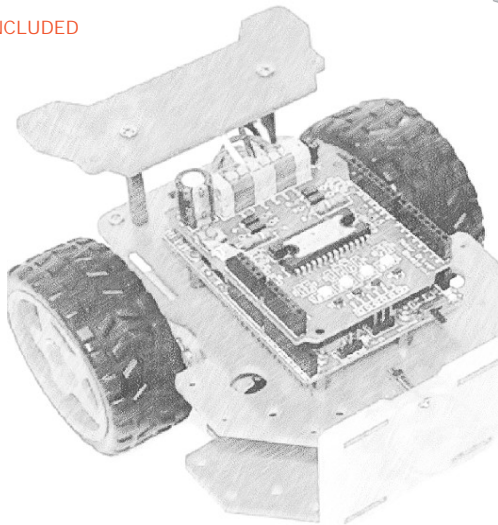
SHIELDS NOT INCLUDED



e-Gizmo.com

To get the Assembly Manual go to this link or scan the QRcode.

<https://github.com/e-Gizmo/MINIBOT>



GitHub



Facebook  
eGizmoMechatronix

## Parts:

QTY	ITEMS
1	MINIBOT Body Chassis
1	MINIBOT Spoiler Chassis
1	MINIBOT Bottom Chassis
1	MINIBOT Bumper Chassis
1	Motor Holder Chassis
1	Power Switch Chassis
1	Battery Lock Chassis
2	Wheels
8	Spacers
2	6V DC Geared Motor (Straight)
4	3x10 mm Brass Studs
4	3x35 mm Brass Studs
1	3x14mm Screws
14	3x6 mm Screw
4	3x25mm Screws
5	3mm Nuts
1	Ball Roller
4	Wires

### MORE VARIANTS MINIBOT



**Minibot Line**  
MiniBot Line is an entry level mobile robot kit with line detector module that enables the robot to ..



**MiniBot ObstraProx**  
MiniBot ObstraProx IR Proximity module that enables the robot to detect obstacles up front and avoid..



**MiniBot ObstraSonic**  
MiniBot ObstraSonic with Ultrasonic Sensor module that enables the robot to detect obstacles up fron..



**MiniBot SumoProx**  
MiniBot SumoProx is an "sumo" mobile robot kit with IR Proximity module that enables the robot to de..



**MiniBot SumoSonic**  
MiniBot SumoSonic is an radar mobile robot kit with Ultrasonic Sensor & Line Follower module tha..



**Minibot Prime**  
MiniBot Prime mobile robot kit with 3 Infrared Proximity Sensor module that enables the robot to det..