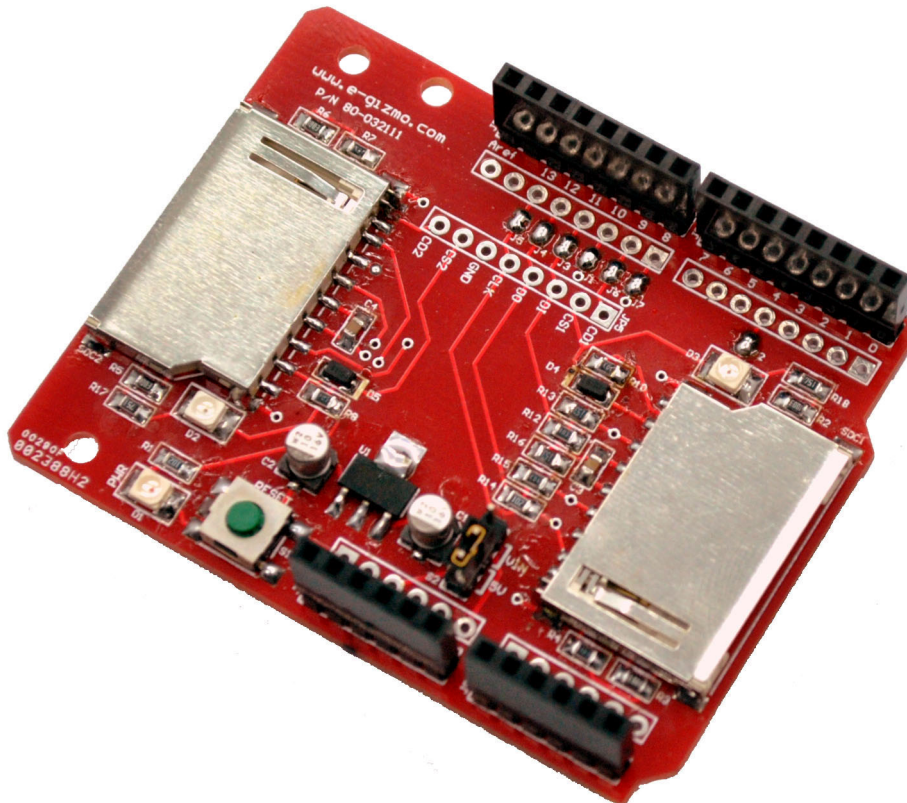


SD/MMC Shield



gizDuino compatible card shield for SD/MMC card read and write applications. Two card sockets allows user applications to work on two SD/MMC at a time. Uncommitted I/O pin gives user the freedom to assign I/O to his/her liking.

FEATURES

- 2 available Card Sockets
- Solderable Extension Ports For Prototyping with other microcontrollers
- Solderable I/O Port
- Reset Button

MAJOR COMPONENTS PRESENTATION

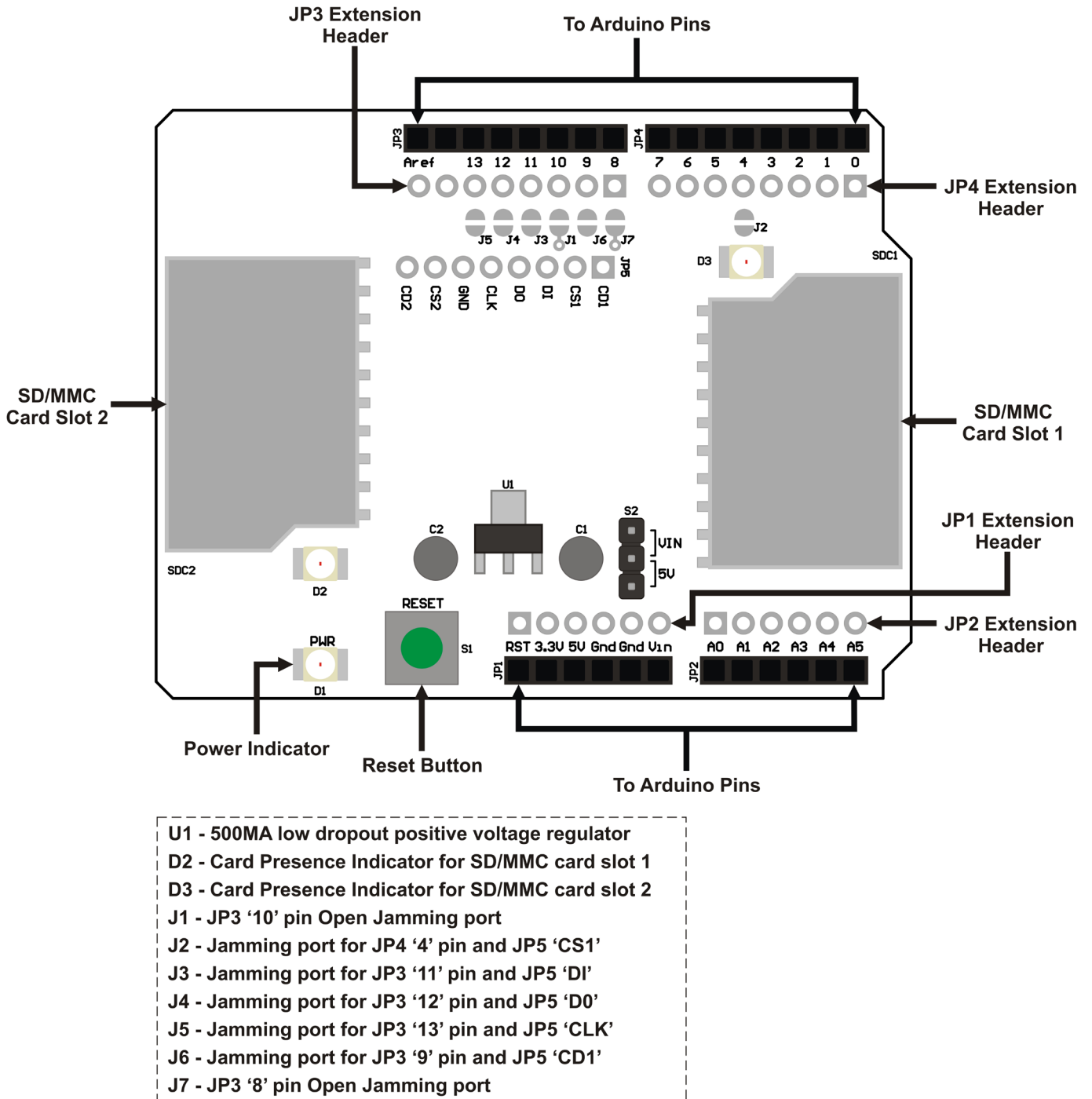


Figure 1. SD/MMC Shield & its major components with details.

PIN ASSIGNMENTS



Figure 2. JP5 Uncommitted I/O Port with Port I.D.

Table 1. JP5 Uncommitted I/O Port with Port I.D. details

<i>I.D.</i>	<i>Description</i>
CD2	Card Detect Switch (Card Slot 2)
CS2	Chip Select (Card Slot 2)
GND	Ground
CLK	Serial Clock
DO	Serial Data Out
DI	Serial Data In
CS1	Chip Select (Card Slot 1)
CD1	Card Detect Switch (Card Slot 1)

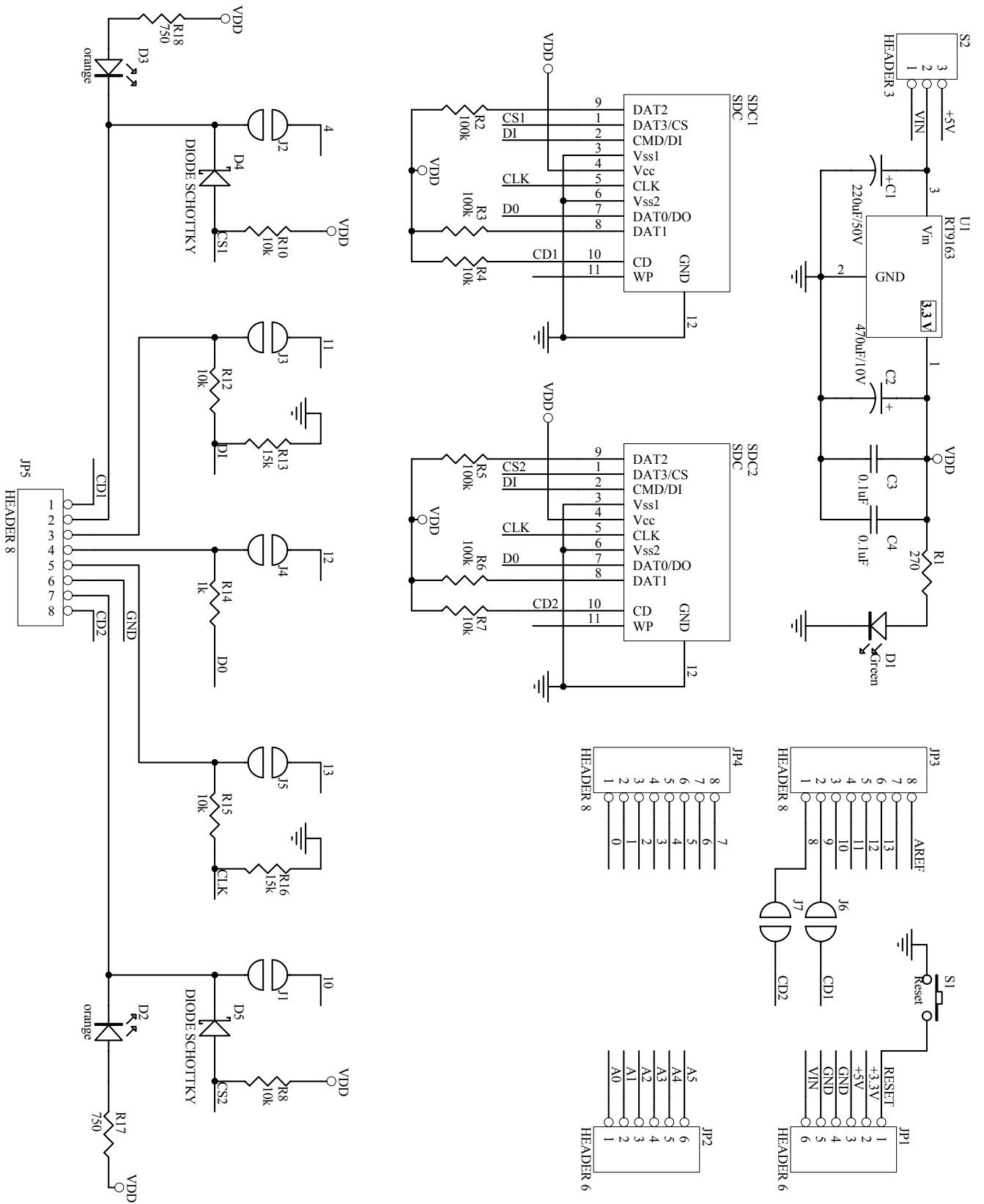


Figure 3. Schematic Diagram of SD/MMC Shield

