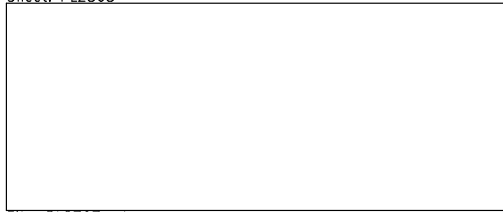


1 2 3 4 5 6

A

Sheet: PL2303



File: PL2303.sch

B

Sheet: MCU



File: MCU.sch

C

D



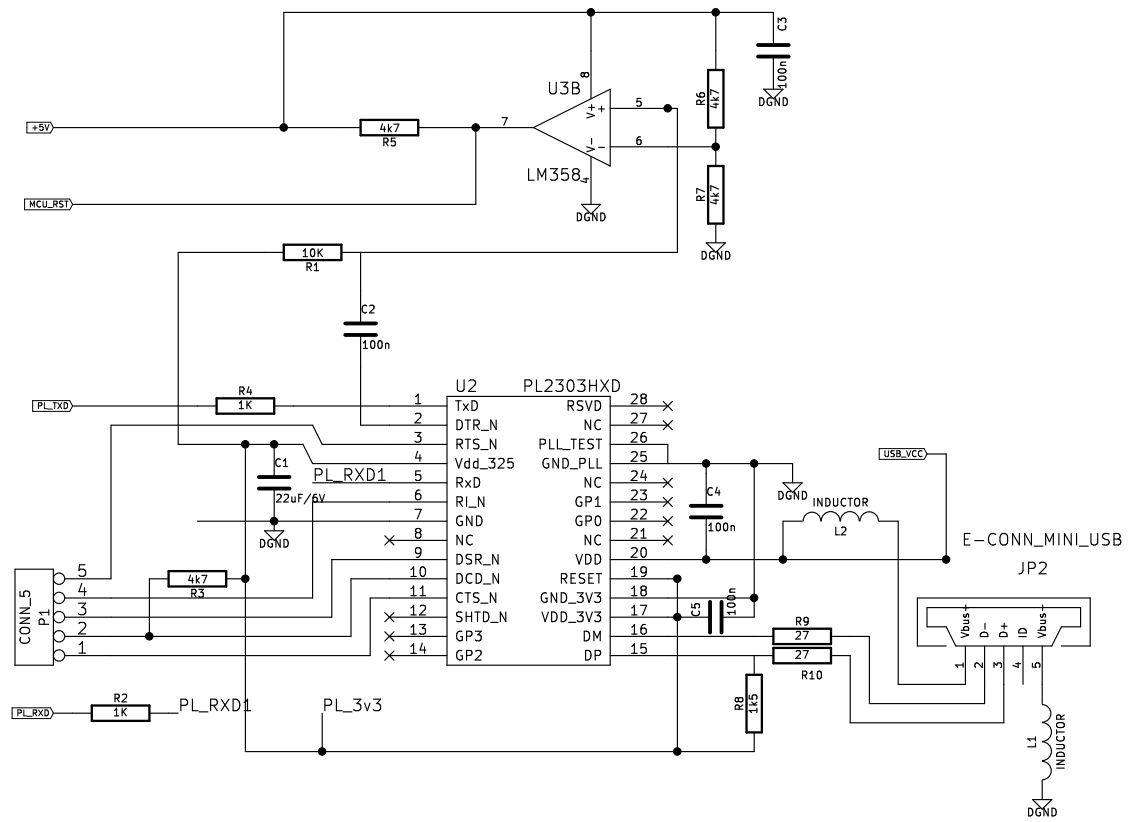
Sheet: /
File: gizDuino328.sch

Title:

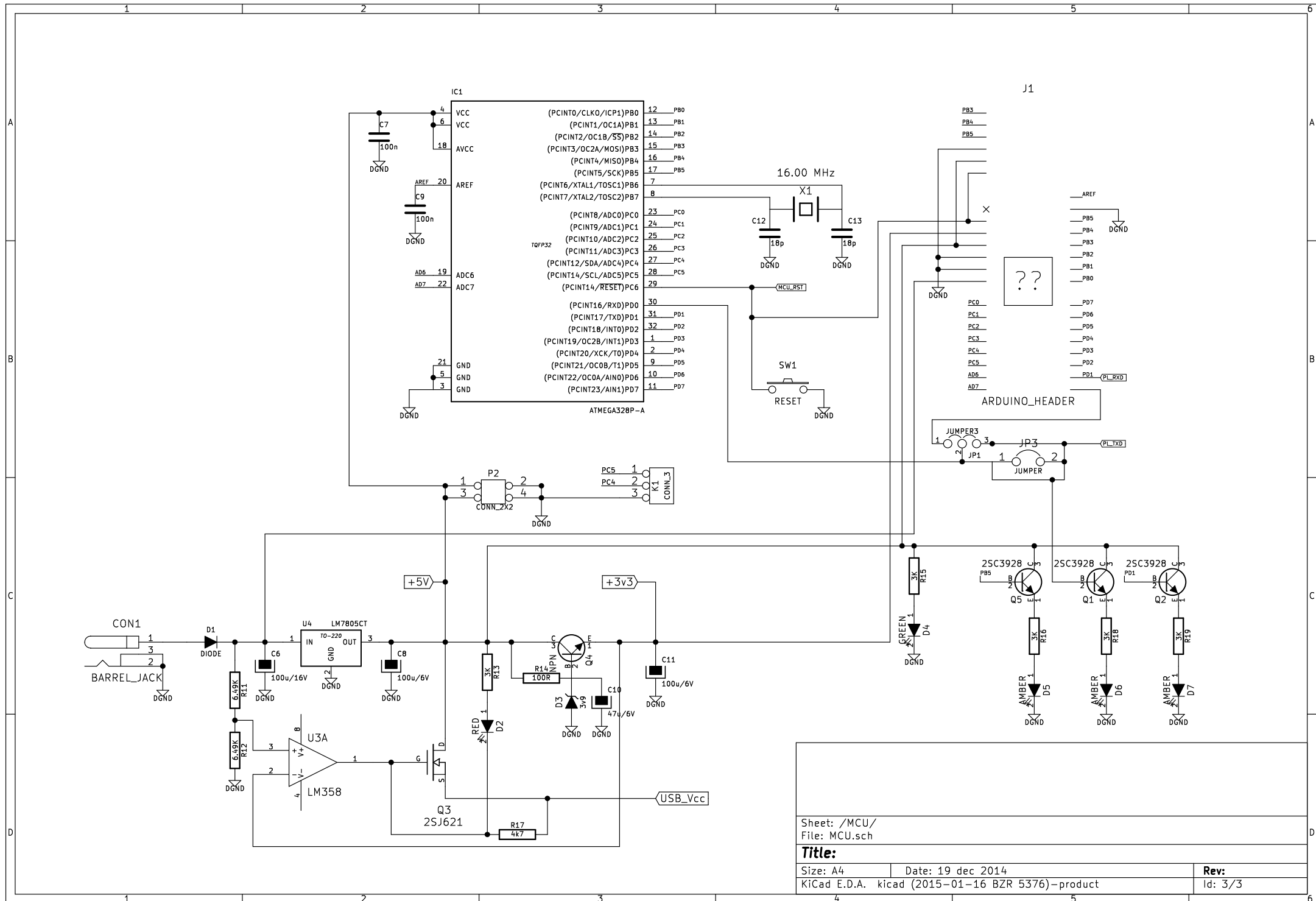
Size: A4 Date: 19 dec 2014
KiCad E.D.A. kicad (2015-01-16 BZR 5376)-product

Rev:
Id: 1/3

1 2 3 4 5 6



Sheet: /PL2303/		
File: PL2303.sch		
Title:		
Size: USLegal	Date: 19 dec 2014	Rev:
KiCad E.D.A. kicad (2015-01-16 BZR 5376)-product		Id: 2/3



Sheet: /MCU/
File: MCU.sch

Title:

Size: A4 Date: 19 dec 2014

KiCad E.D.A. kicad (2015-01-16 BZR 5376)-product

Rev:
Id: 3/3