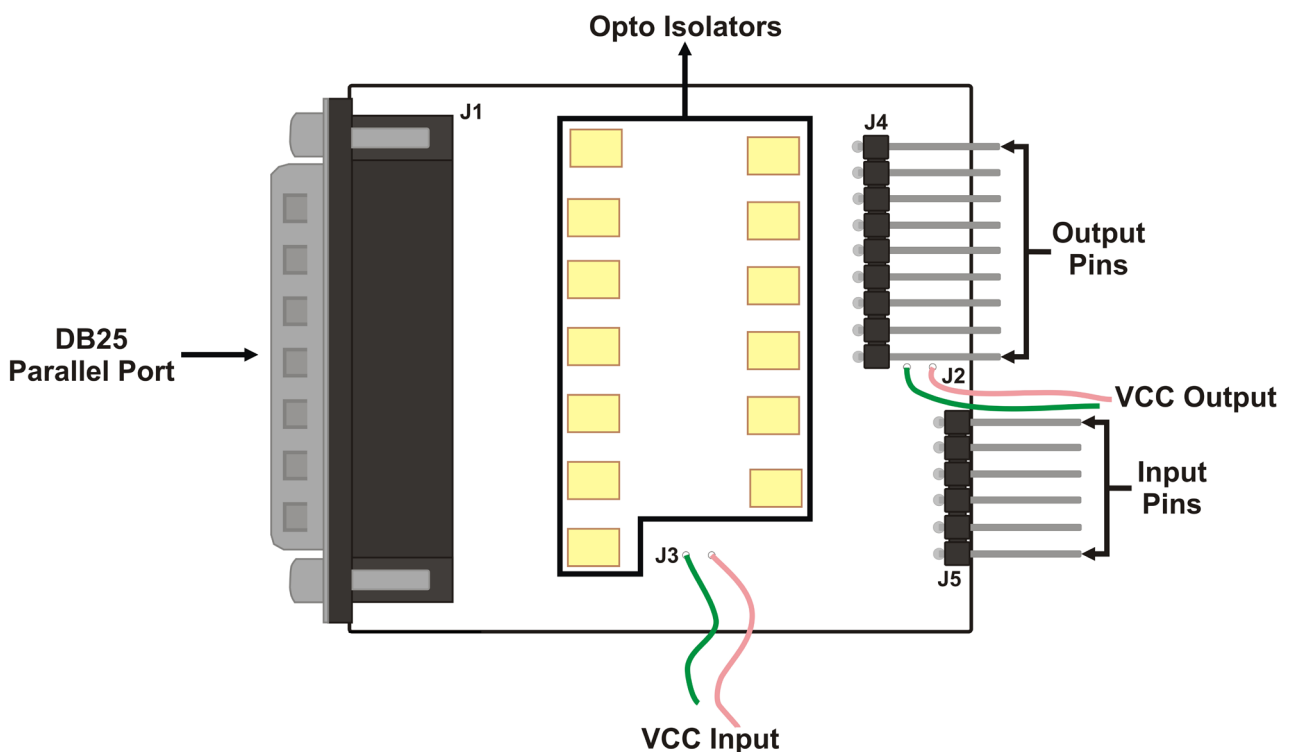
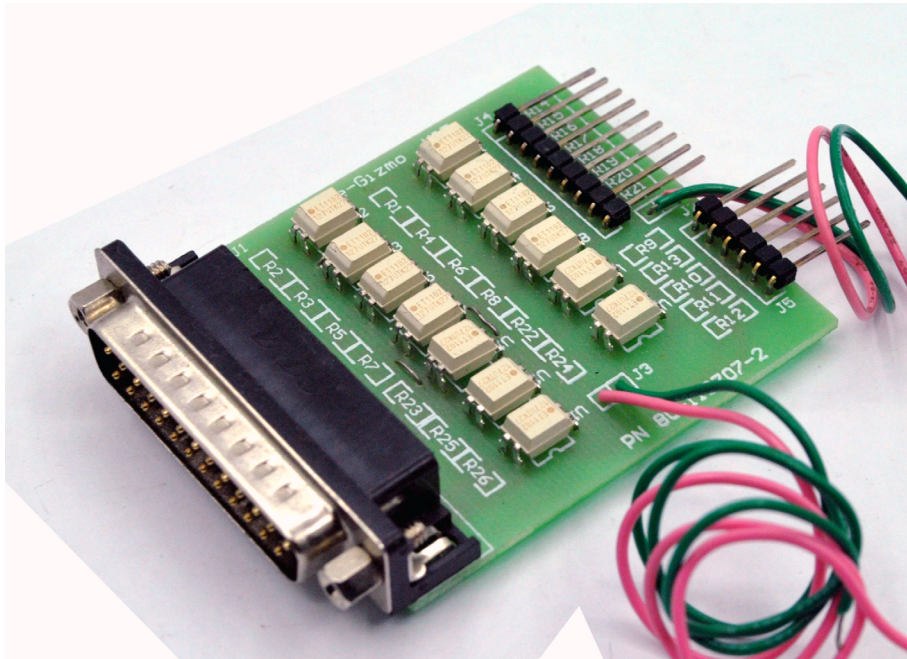


PC Parallel Port Isolator

Hardware Manual Rev 1r0



A must for parallel port experimenters. This board will allow you easy access to PC parallel pin I/O and protects your PC port from damage in case you accidentally fry your circuit.

SPECIFICATIONS

- 9 Output Pins
- 6 Input Pins
- 13 Opto Isolators
- DB25 Parallel Port

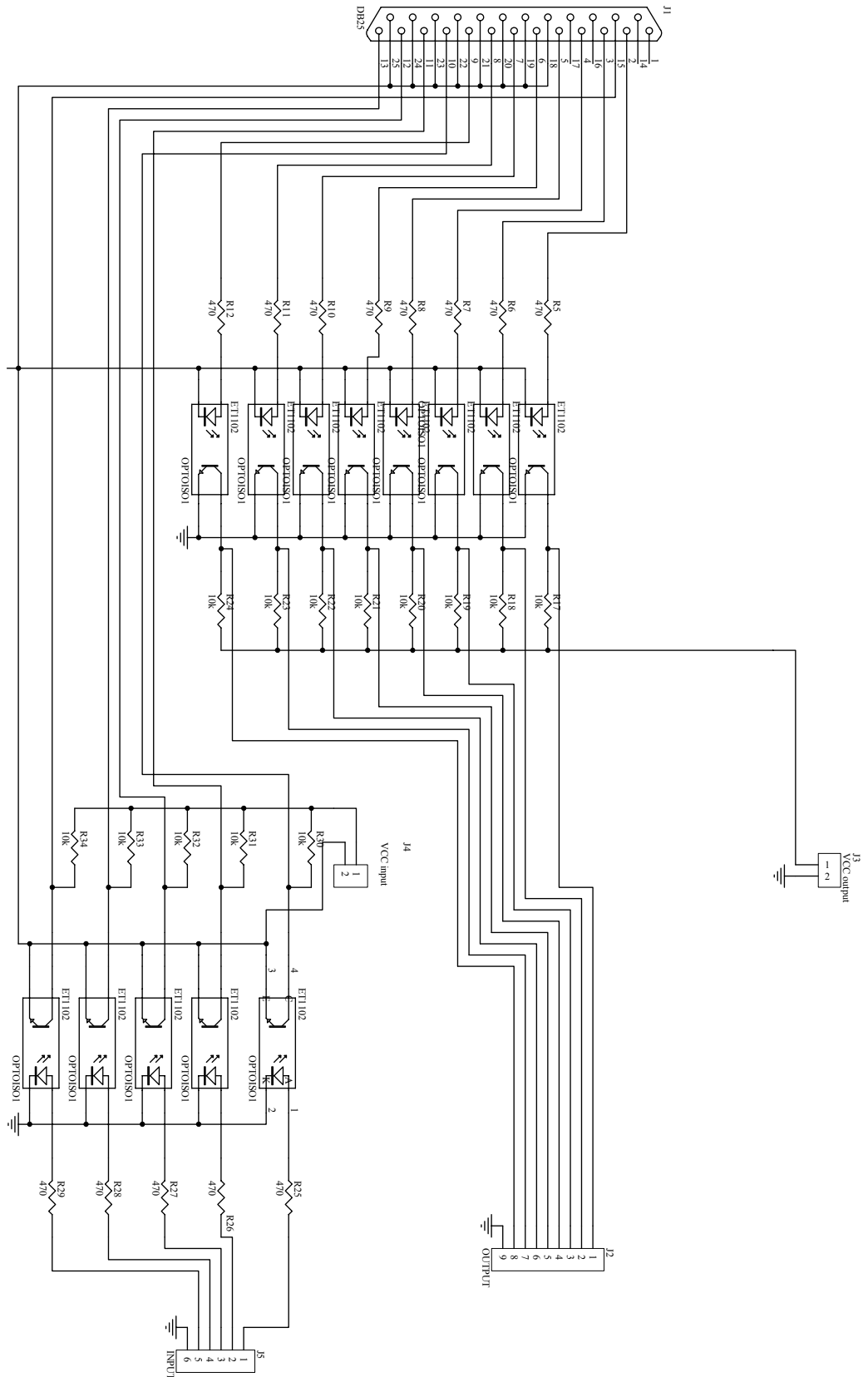


Figure 2. Schematic Diagram of PC Parallel Port Isolator

PCB BOARD PRESENTATION

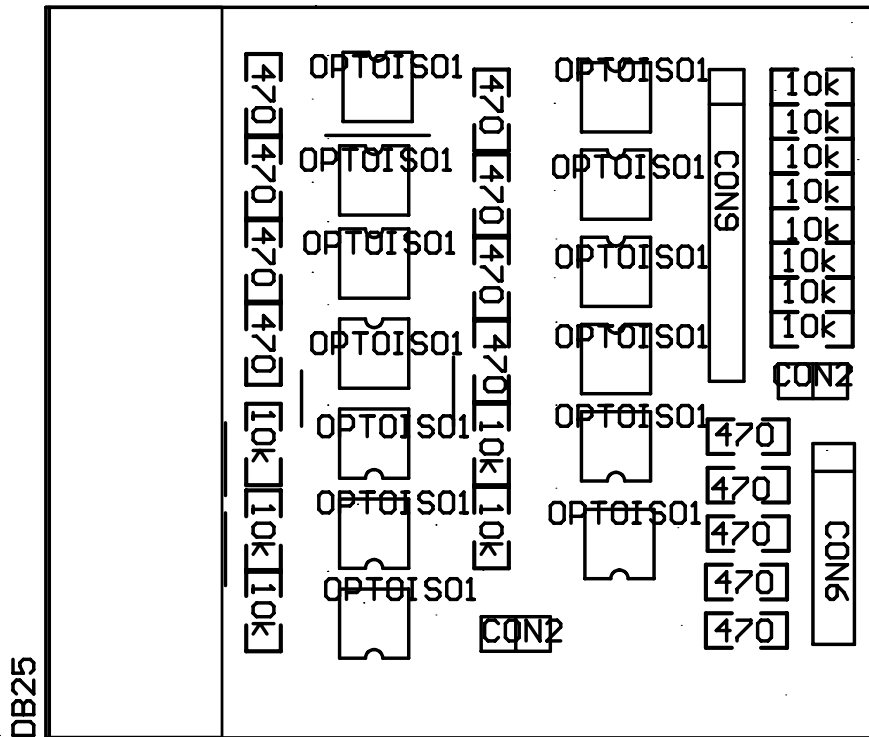


Figure 3. PC Parallel Port Isolator PCB
(silkscreen layout)

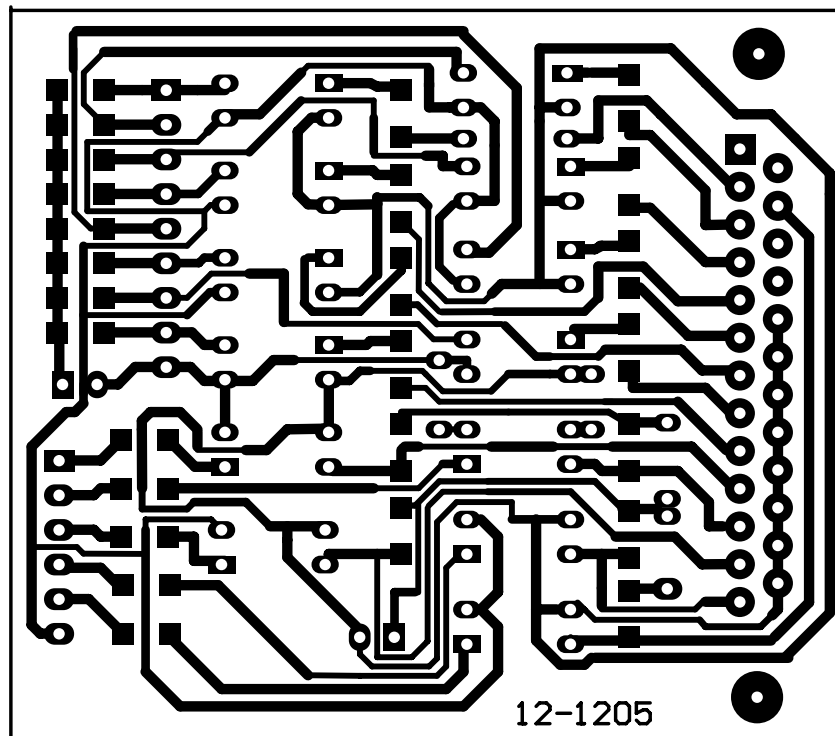


Figure 4. PC Parallel Port Isolator
Copper Pattern