

SHT1x Breakout board

Technical Manual Rev 1r0



Humidity & Temperature sensor

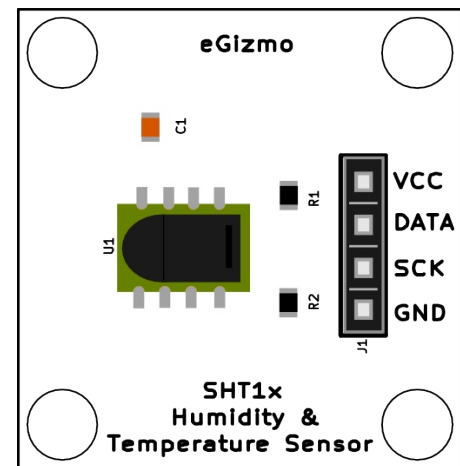
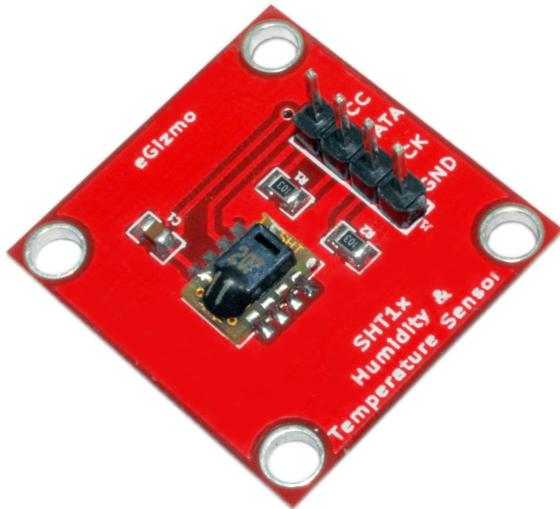


Figure 1. SHT1x sensor Illustration

The e-Gizmo SHT1x Humidity & Temperature Sensor Precision Relative Humidity and Temperature sensor. Compatible with gizDuino & Arduino, and with any 5V logic microcontroller with I2C interface.

FEATURES:

- SHT11 Calibrated Humidity and Temperature sensor.

GENERAL SPECIFICATION:

- **Supply Input:** +5V DC
- **On board IC:** SHT11 Calibrated
- **I/F:** Serial I2C two wire
- **On board IC:** SHT11 Calibrated
- **Humidity:** 0-100%, 12-bit conversion (0.04 percentage resolution)
- **Temperature:** -40C to +123.8C, 14-bit (0.01 percentage resolution)
- **PCB Dimension:** 26 mm x 25 mm

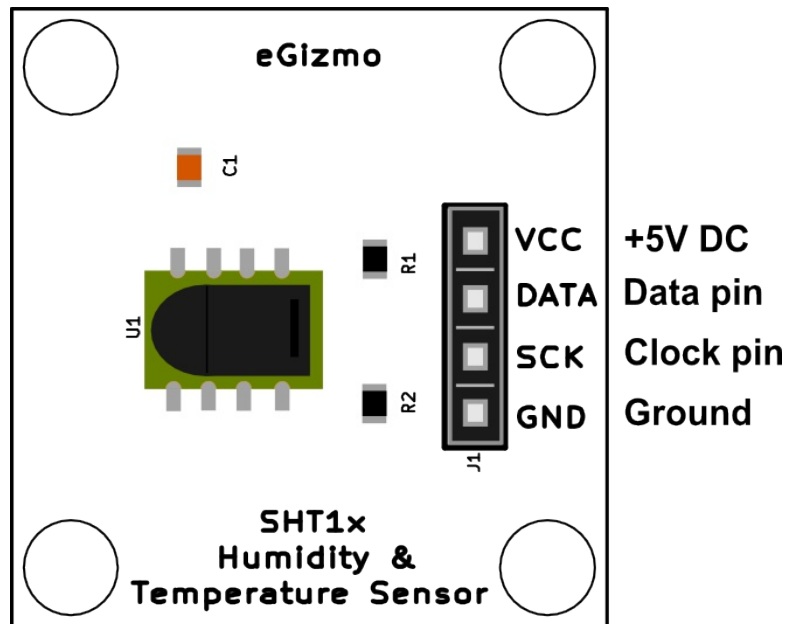


Figure 2. Major parts presentation of e-Gizmo SHT1x Humidity & Temperature sensor.

Table 1. *J1* connections and descriptions

| PIN Name | Descriptions |
|----------|------------------------|
| VCC | + 5V DC Supply Input |
| GND | Ground connection |
| DATA | DataPin I2C connection |
| SCK | ClkPin I2C connection |

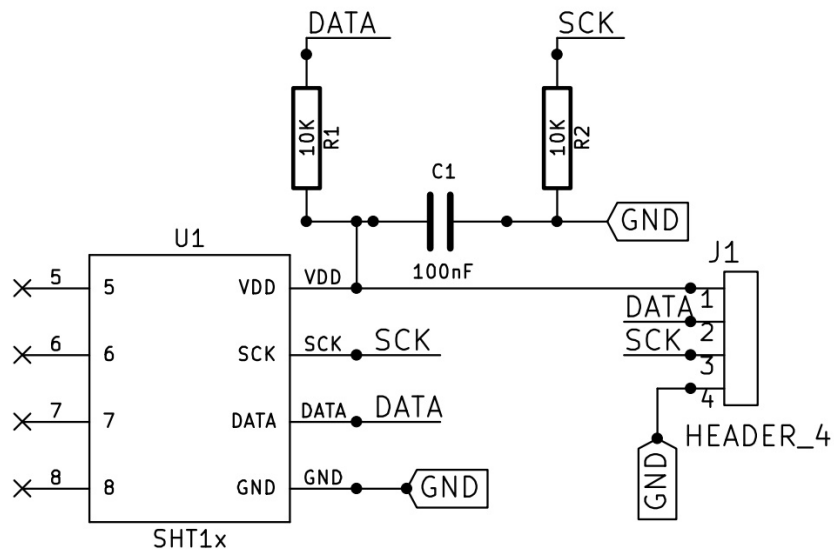


Figure 3. Schematic Diagram of e-Gizmo SHT1x Humidity & Temperature sensor.

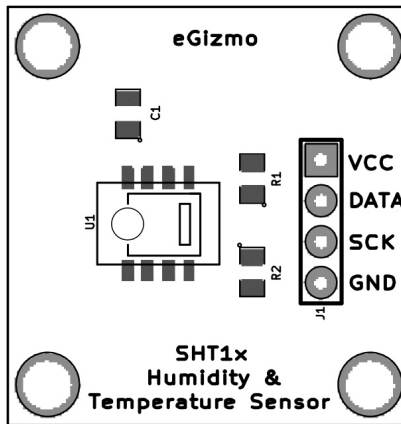


Figure 4. Parts Placement

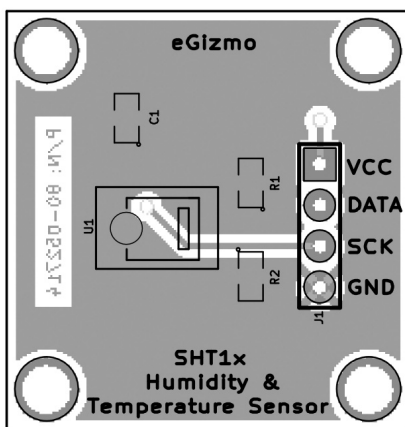


Figure 5. BottomPCBGuide

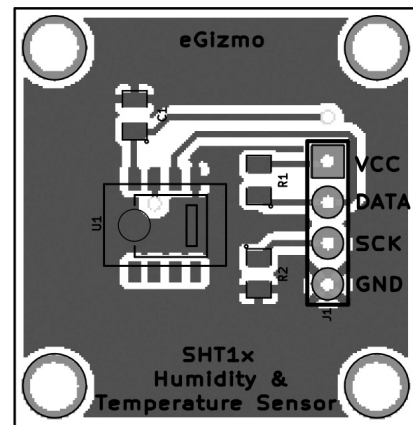


Figure 6. TopPCBGuide

Wire connections:

- | | |
|---------------|-------|
| Gizduino + | SHT1x |
| +5V -----> | VCC |
| GND -----> | GND |
| pin 10 -----> | DATA |
| pin 11 -----> | SCK |

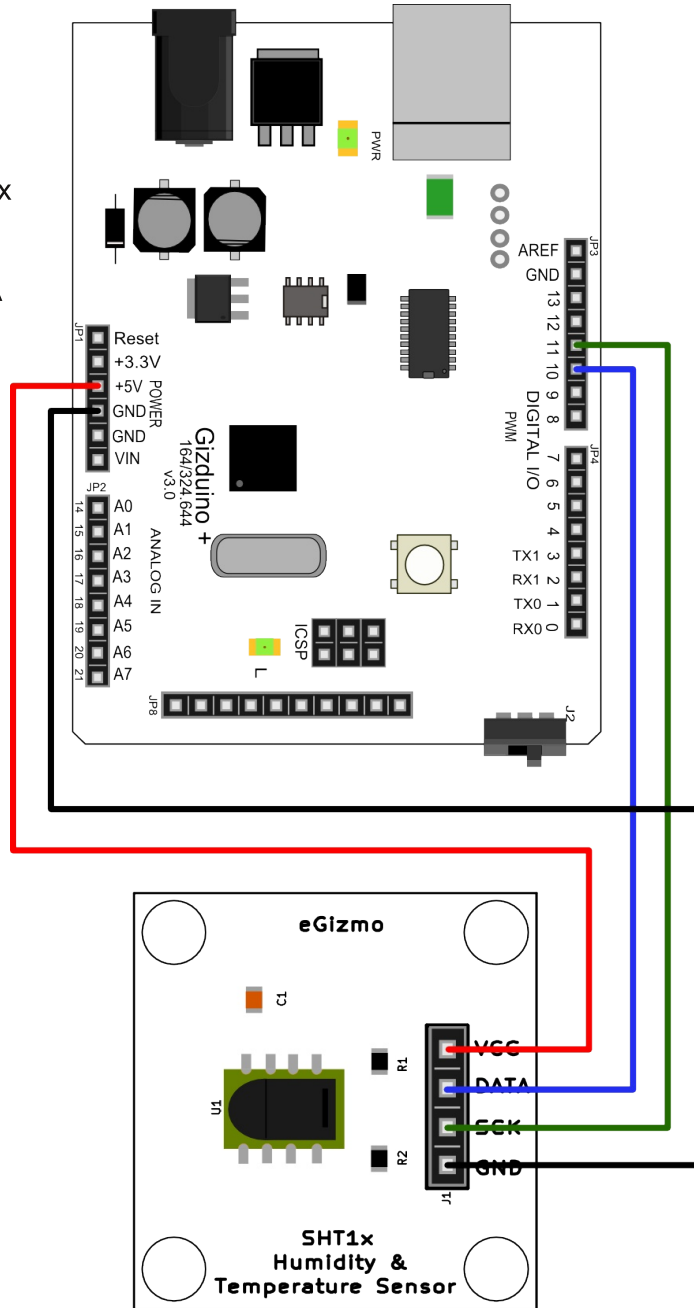


Figure 7. Sample Application of e-Gizmo SHT1x Humidity & Temperature sensor