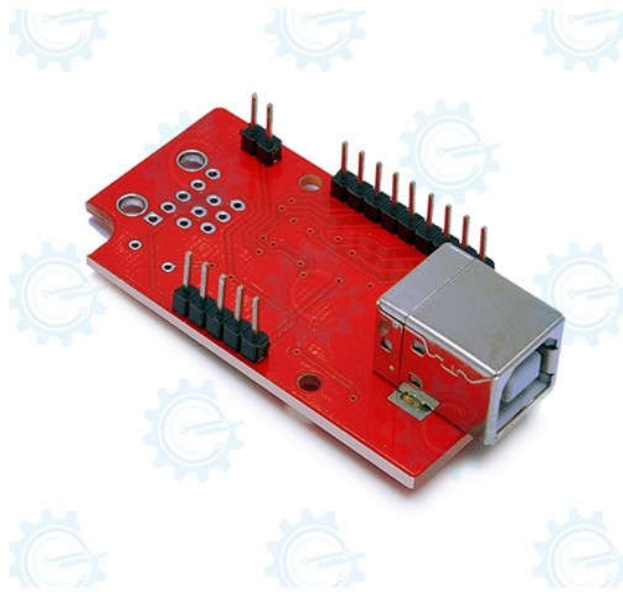


USB to UART (Serial TTL) Converter



Technical Manual Rev 1r0



Add USB connectivity to your microcontroller circuits without going through code complexities of USB services with e Gizmo USB to UART converter kit. Built using the highly popular PL2303 chip, this device will let your microcontroller communicates with the PC through a USB port the same way you will with a (much simpler code) PC COM port.

Features:

- Prolific PL2303 USB to Serial Chip
- Type B USB connector
- Header I/O connectors

General Specifications:

Input supply voltage: 5V
Data Transmission Speed: 940kbps
IC: PL2303 Prolific
PCB Dimensions: 55 x 29 mm

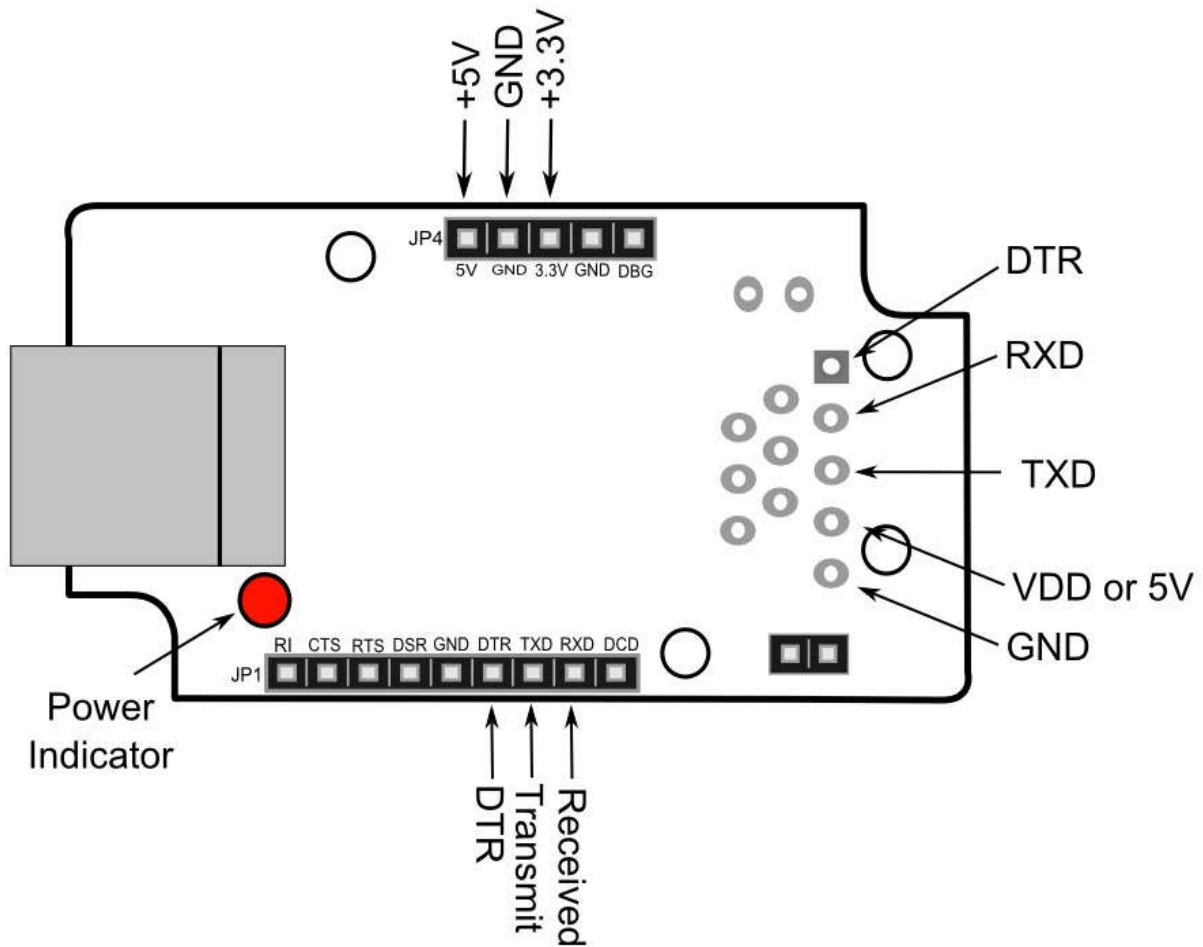
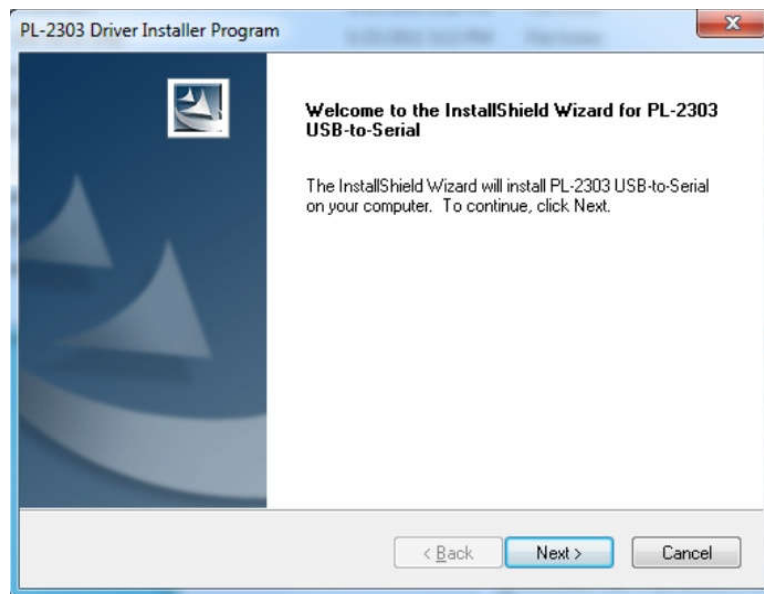


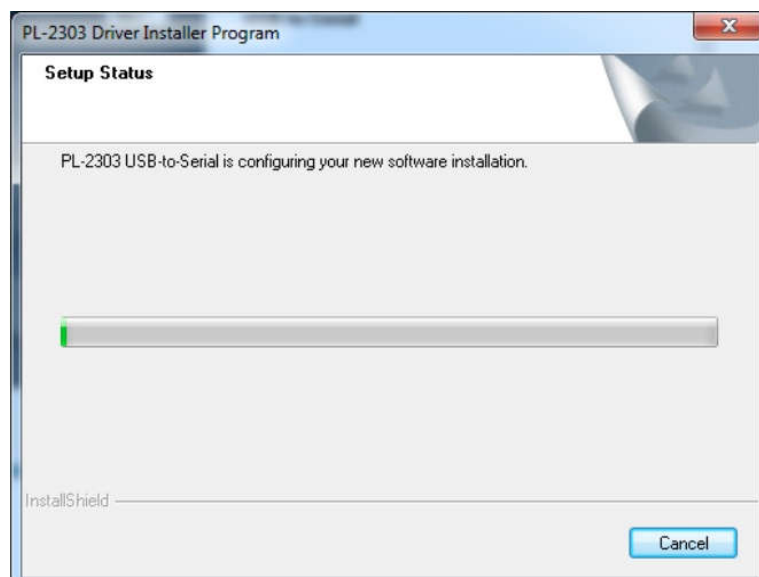
Figure 1: USB TO UART CONVERTER

Summary based on PL2303 Manual:

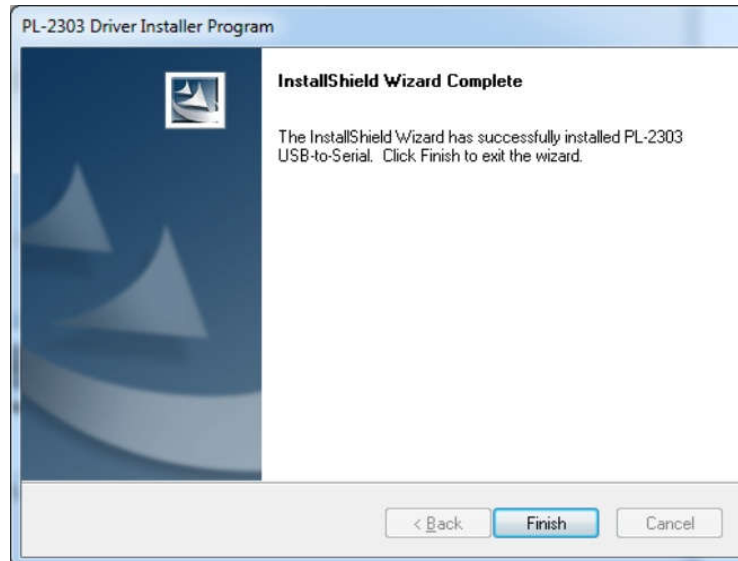
1. Power on your computer and boot to Windows. Run or double-click the PL-2303 Windows Driver Installer program.
2. The InstallShield Wizard will be displayed to inform you that the PL-2303 USB-to-Serial driver will be installed on your computer. Click Next to continue.



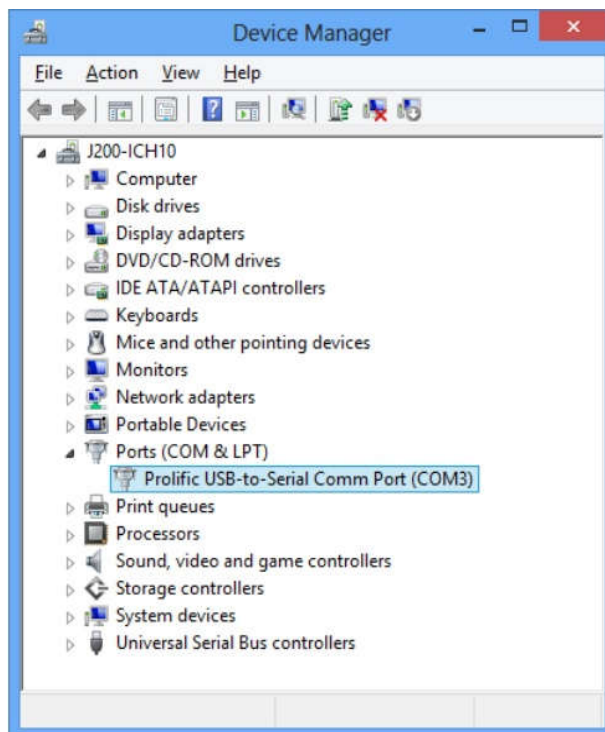
3. The PL-2303 Driver Installer program will then start to install the drivers needed.



4. Click the Finish button to close the InstallShield program. If you have plugged the cable into the PC while running the setup installation, please unplug and replug the cable for the system to detect the device.



5. Plug in the USB to Serial adapter to the PC USB port. Windows should detect the driver as Prolific USB-to-Serial Comm Port. Go to Device Manager and check for the "Prolific USB-to-Serial Comm Port" device and the COM port number assigned by Windows.



6. You can also check the driver version by right-clicking on the “Prolific USB-to-Serial Comm Port” device and select Properties and Driver tab.

WARNING!!!

If you are encountering yellow mark (Error Code 10) for device in Device Manager under Windows XP, Vista, or Windows 7, you need to contact the cable vendor or manufacturer for possible counterfeit chip. Prolific does not manufacture or sell any end-user market products and will not provide or be responsible for direct support to end-users.